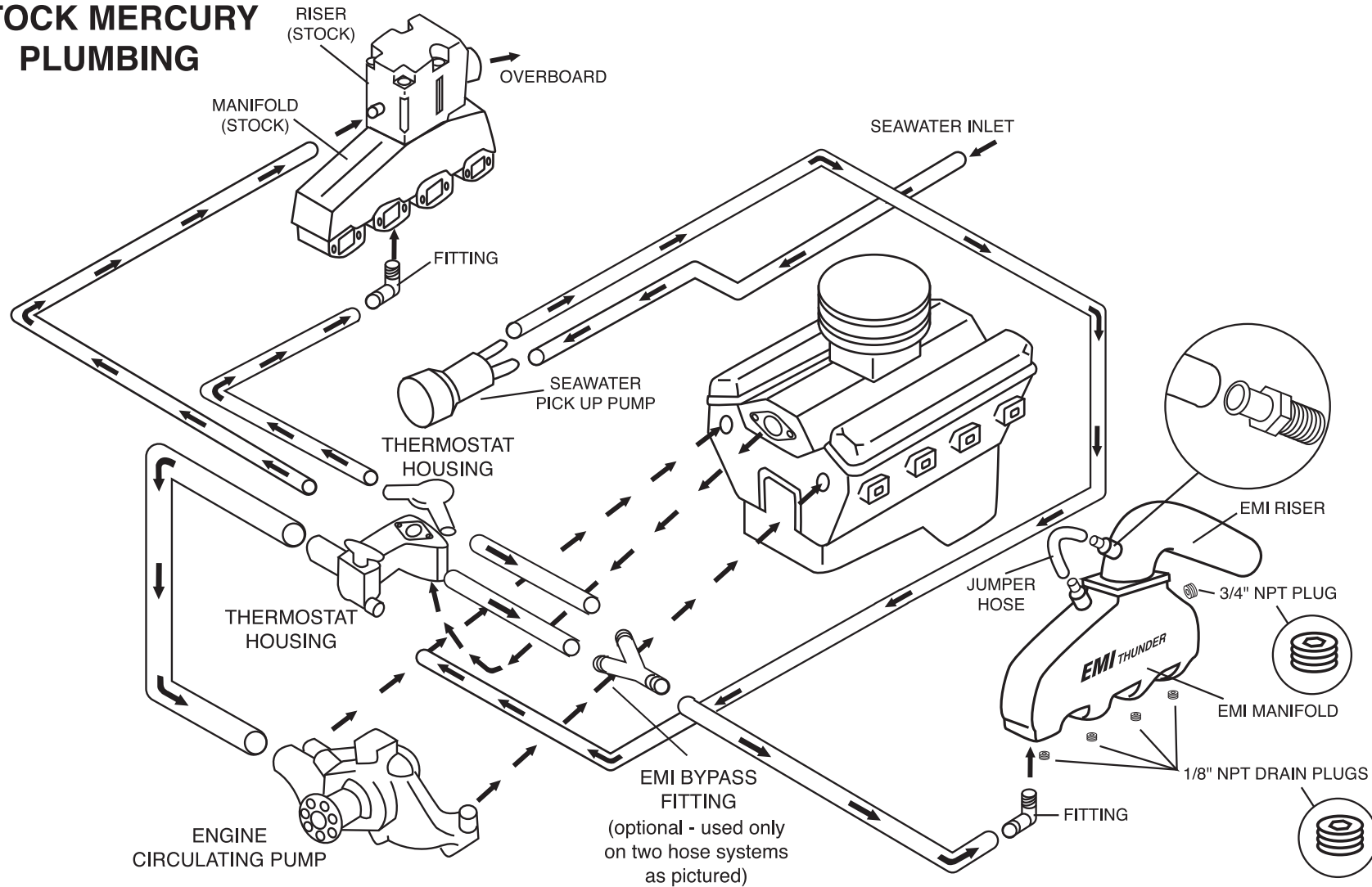


EMI THUNDER PLUMBING

STOCK MERCURY PLUMBING



WATER MUST BE FLOWING THROUGH THE MANIFOLD AT ALL TIMES! CHECK THE MANIFOLDS UPON START UP TO INSURE THAT THEY STAY COOL. WATER MUST EXIT THE EXHAUST WITHIN 1-2 MINUTES AFTER STARTING THE ENGINE. FAILURE TO HAVE MAXIMUM WATER FLOW TO THE MANIFOLDS CAN CAUSE SEVERE INTERNAL DAMAGE AND WILL VOID THE WARRANTY! APPLY A THIN COAT OF HIGH TEMP SEALANT TO BOTH SIDES OF RISER GASKET.

TORQUE SPECS:
 MANIFOLD TO CYLINDER HEAD 30LB.FT. RISER TO MANIFOLD 30LB.FT.

